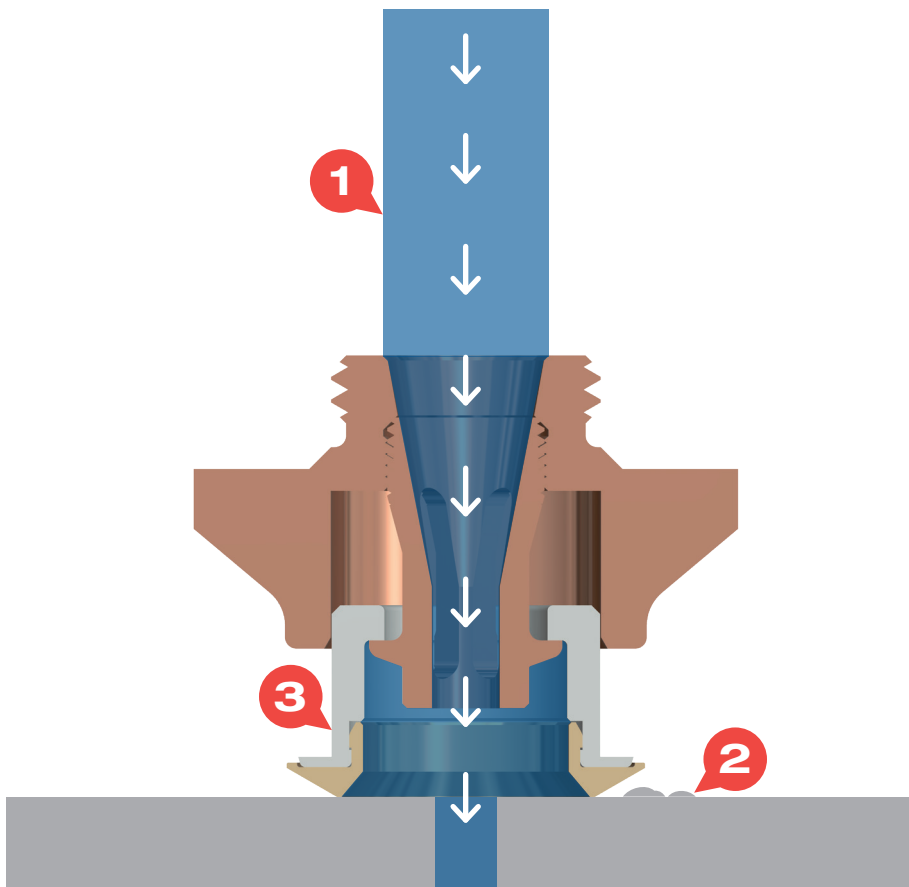
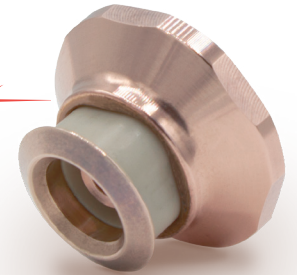


GEN[™] DESIGN



GEN[™]



LASER NOZZLE

1 Extremely Economical

- Uses up to 70% less cutting gas
- Up to 60% less cutting gas pressure

2 Extremely Robust

- Not sensitive to spatter and collisions
- Ability to cut over closely nested parts

3 Patent Pending Design

- Square Sleeve
- Tapered inner nozzle design prevents loosening
- Reduced number of sleeve changes

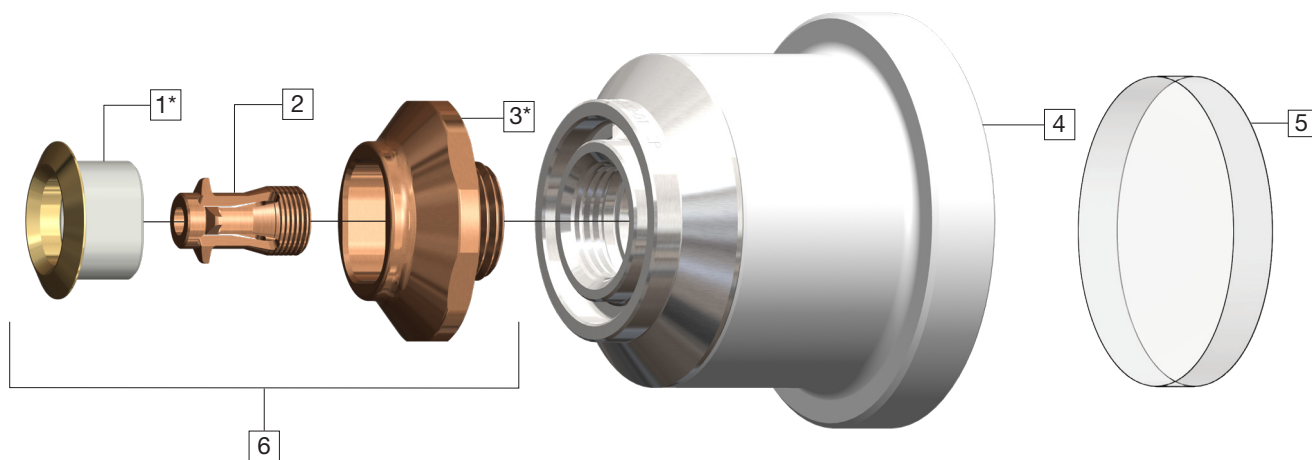
AMERICAN TORCH TIP[®]

6212 29th Street East, Bradenton, FL

P: 941-753-7557

E: Sales@attcusa.com

AmericanTorchTip.com



GEN [™] NOZZLE		
Pos	Part #	Name
1	2284349ATTC*	Nozzle Sleeve
2	2228802ATTC	Inner Nozzle
3	2228806ATTC*	Nozzle Body
4	1906032	Nozzle Holder
5	766719	30mm x 5mm Fused Silica Protective Window
6	2228800ATTC	Complete Nozzle Assembly

AMERICAN TORCH TIP[®]

6212 29th Street East, Bradenton, FL

P: 941-753-7557

E: Sales@attcusa.com

AmericanTorchTip.com

* Parts marked with an asterisk must be used together.

